

Assembly Instruction ✓

Fritz Coffee Table 39"



Welcome Guide

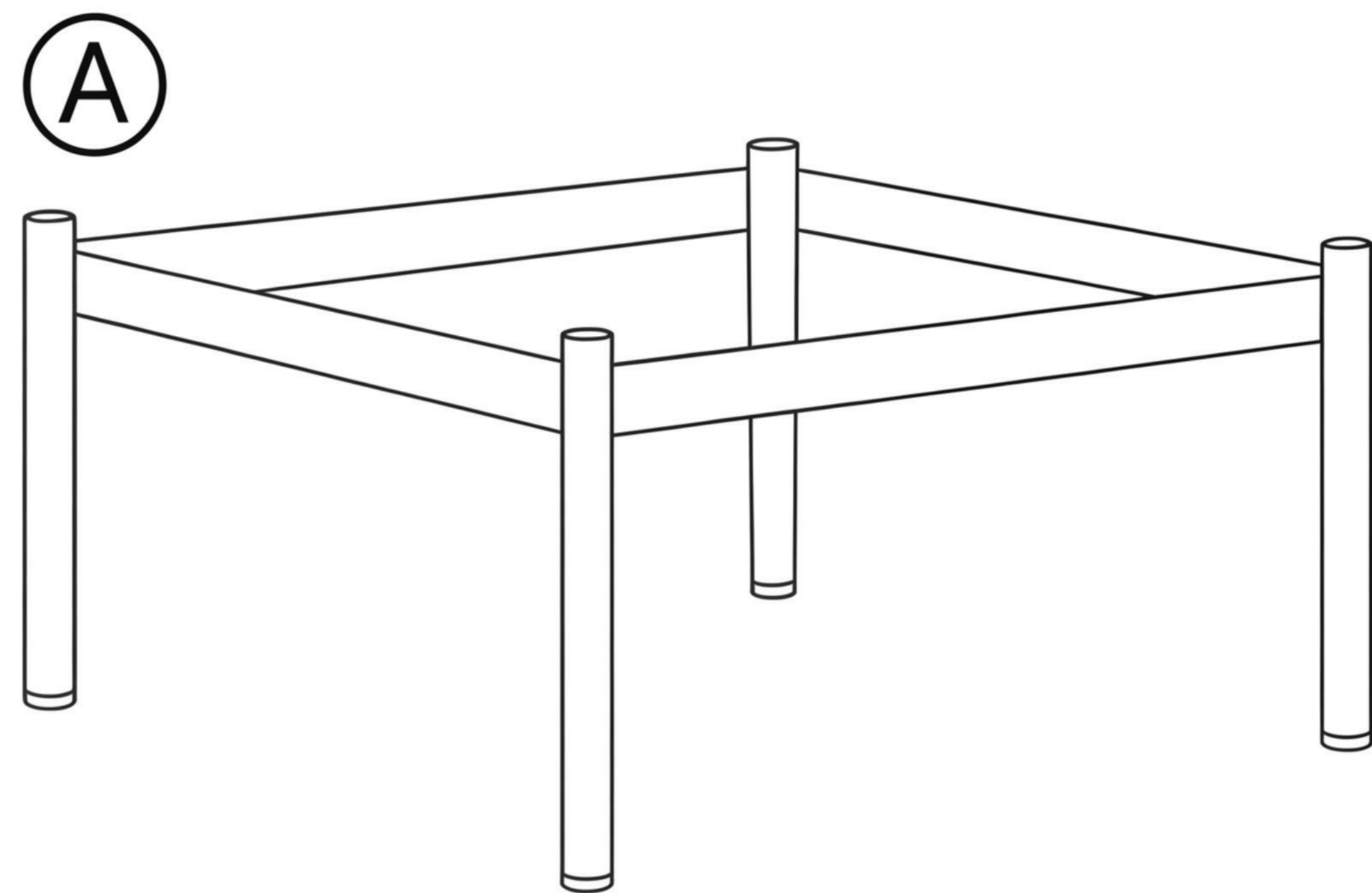
Assembly Instructions

Fritz Coffee Table 39" part:

- (A) Frame 1X
- (B) Engineered Wood 1X

Step 2 - Identify the top's underside

- Flip B. Top so the underside faces up.
- You'll see the small corner notches/reliefs that clear the frame's posts.

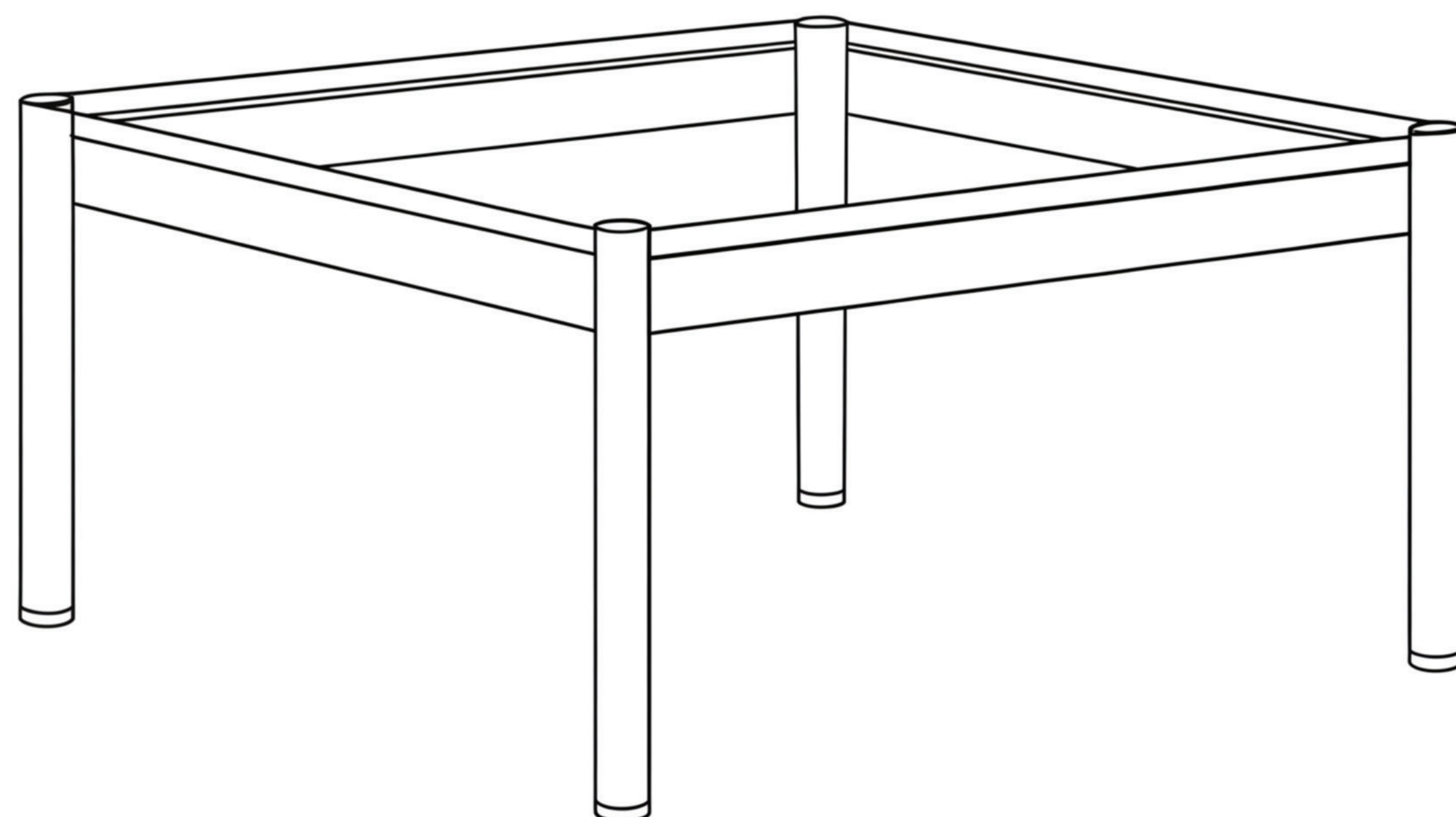
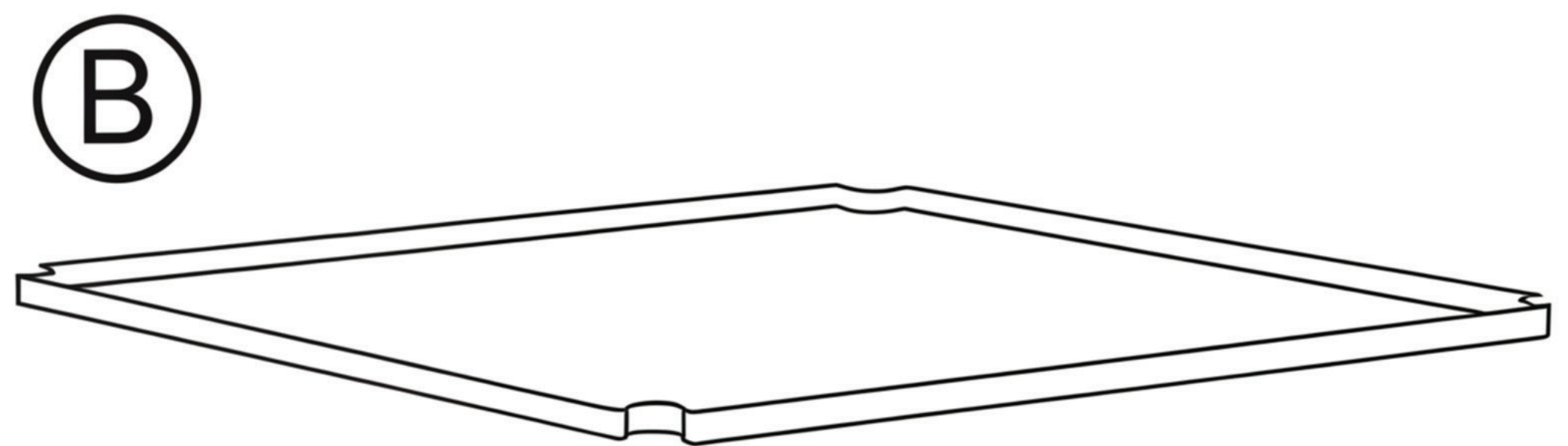


Step 1 - Position the frame

- Set A. Frame upright on the protected surface.
- Make sure all four legs sit flat and the inner support rails form a level square.

Step 3 - Align

- Hold the top over the frame.
- Align each corner notch with the corresponding frame post so the edges are parallel to the rails on all sides.



Assembly Instructions

Step 4 - Lower into place

- Lower the top straight down into the frame opening.
- Keep fingers clear of the edges.
- The top should nest inside the rails and sit flush all around.

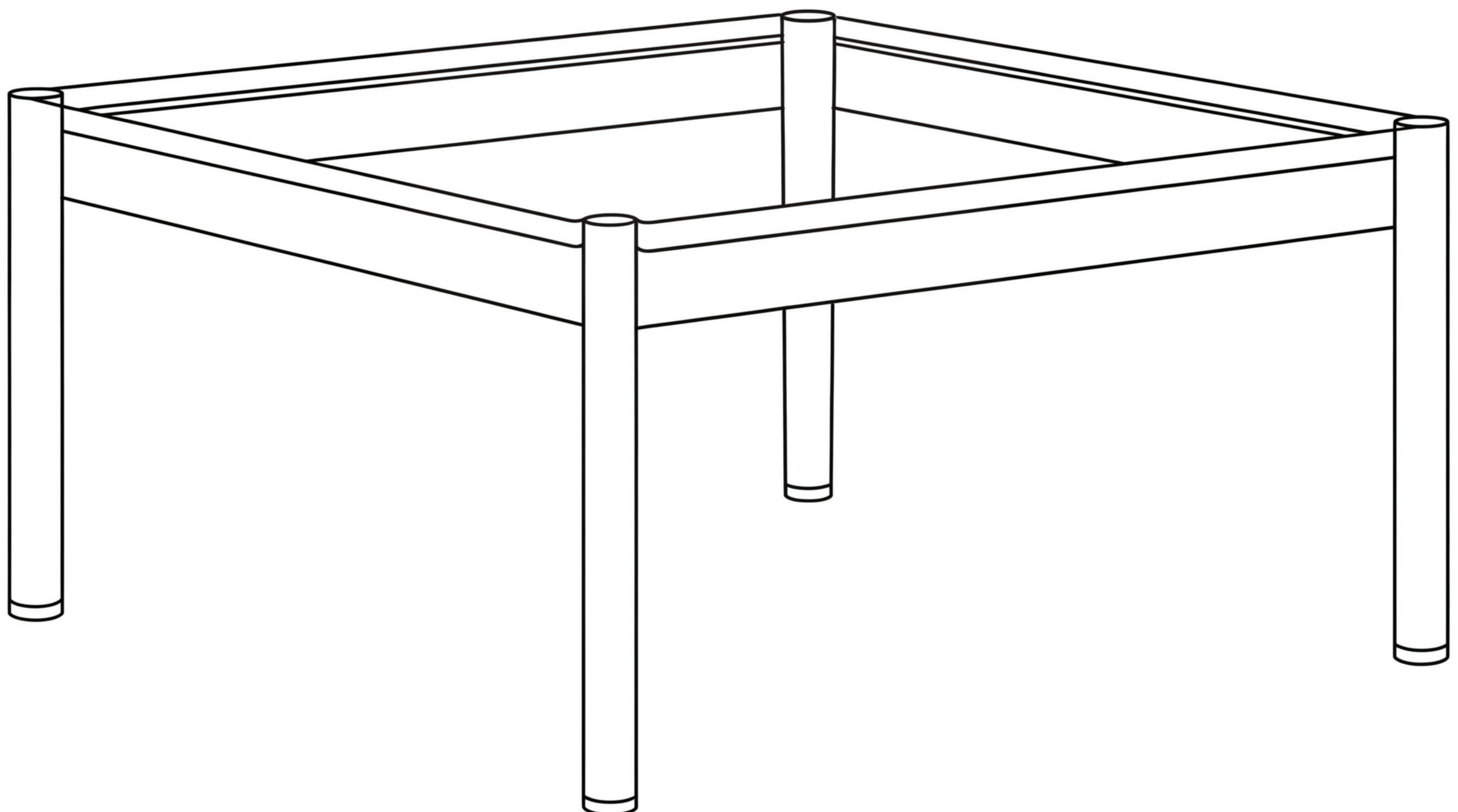
Step 5 - Check flush and stability

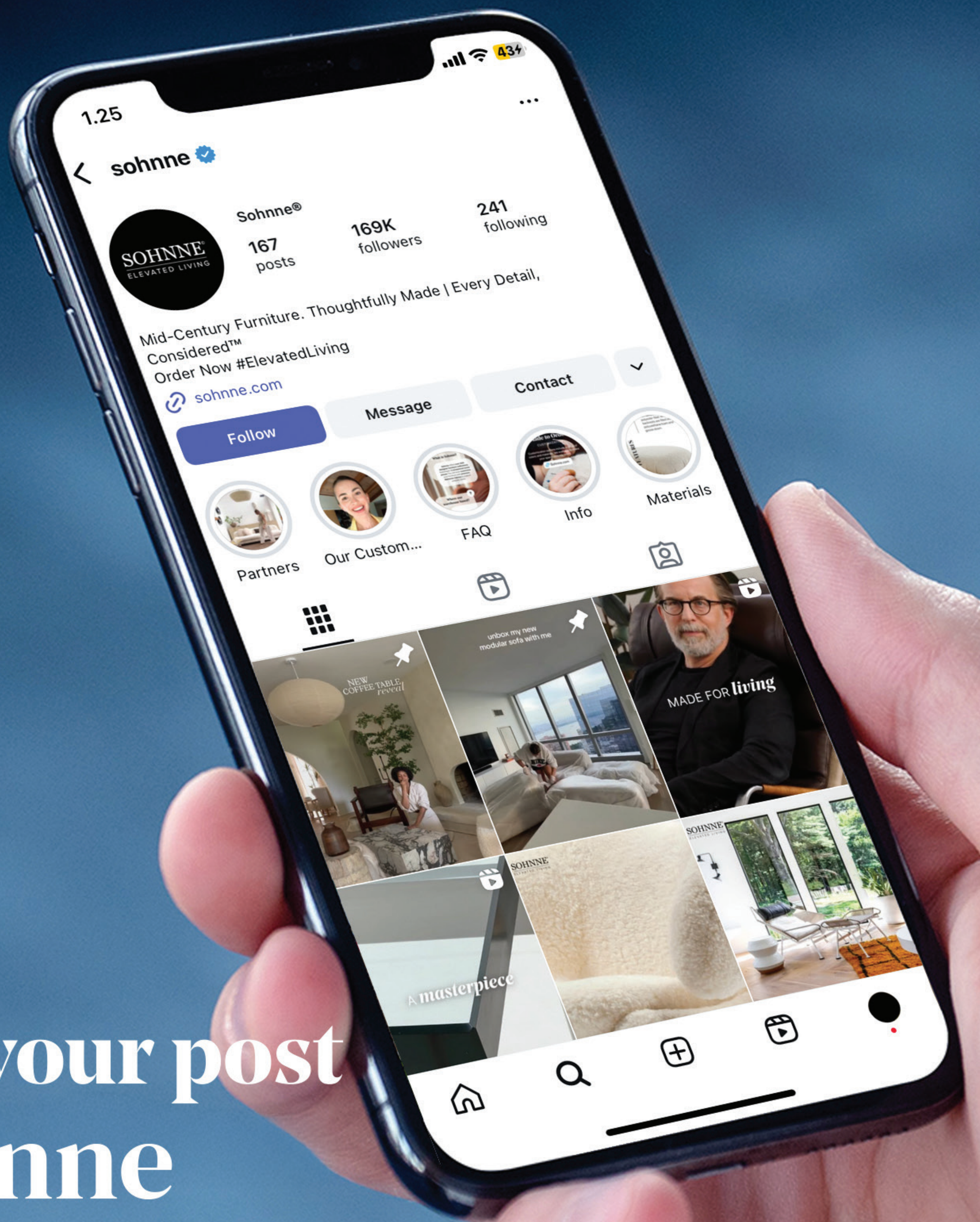
- Run a hand around the perimeter to confirm even gaps and that the surface is level.
- If a corner is high, lift slightly, realign, and reseal.

Care

- If the table rocks on your floor, add felt pads under one or more legs.
- Clean the top with a slightly damp, non-abrasive cloth and dry immediately.

Fritz Coffee Table Finish





Tag in your post @sohnne



\$50 off for photo review



\$100 off for video review

SOHNNE[®]
ELEVATED LIVING