

Assembly Instruction ✓

Corbusier LC4 Chaise Lounge



Welcome Guide

www.sohnne.com

Assembly Instructions

LC4 Chaise Lounge Parts:

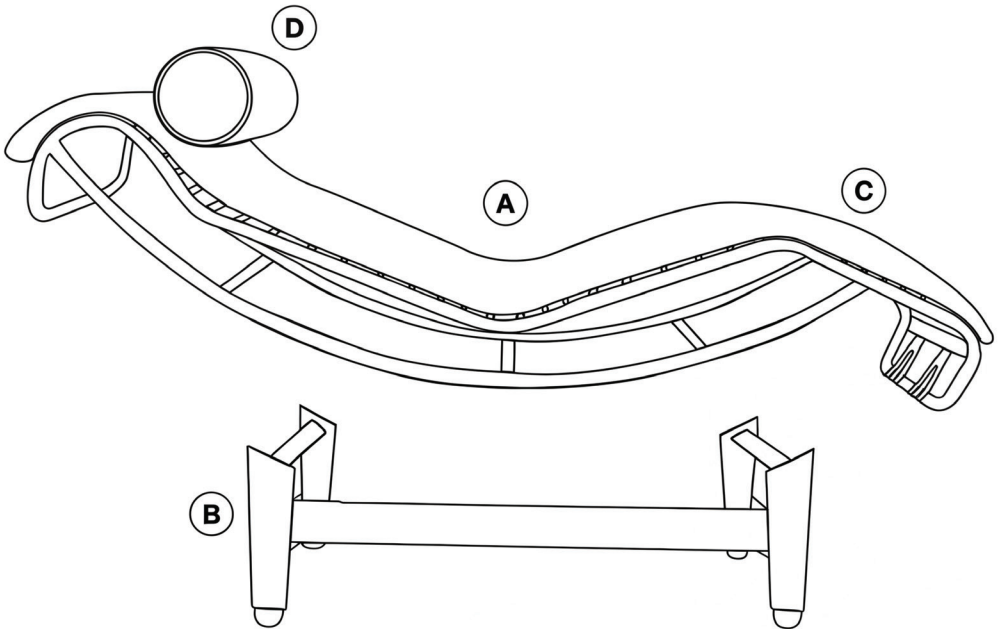
- (A) Upper frame
- (B) Base frame
- (C) Cushion
- (D) Headrest cushion

Step 1 — Position the Base Frame (B)

- Place the base frame (B) on the floor with the arched sides facing upward.
- Make sure it sits stable and balanced — this will be the foundation.

Step 2 — Place the Upper Frame (A)

With both hands, lift the upper frame (A). Carefully rest it on the base frame (B) — the curved tubes of (A) should sit neatly in the cradles or rubber pads of the base. Check that it can rock smoothly back and forth — this is how the chair adjusts recline.



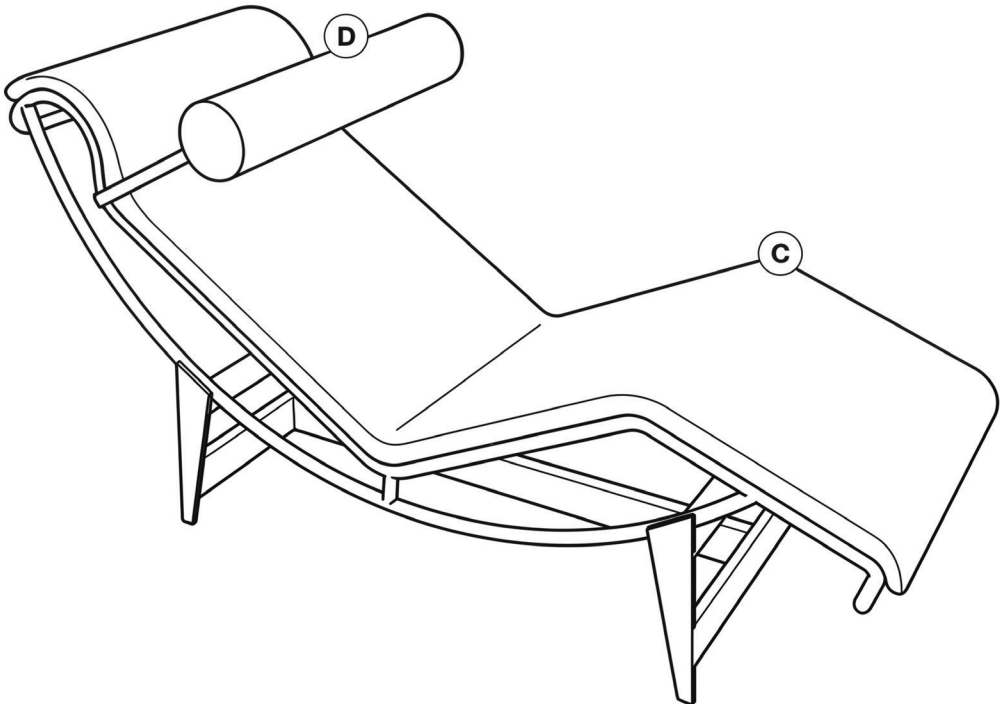
Assembly Instructions

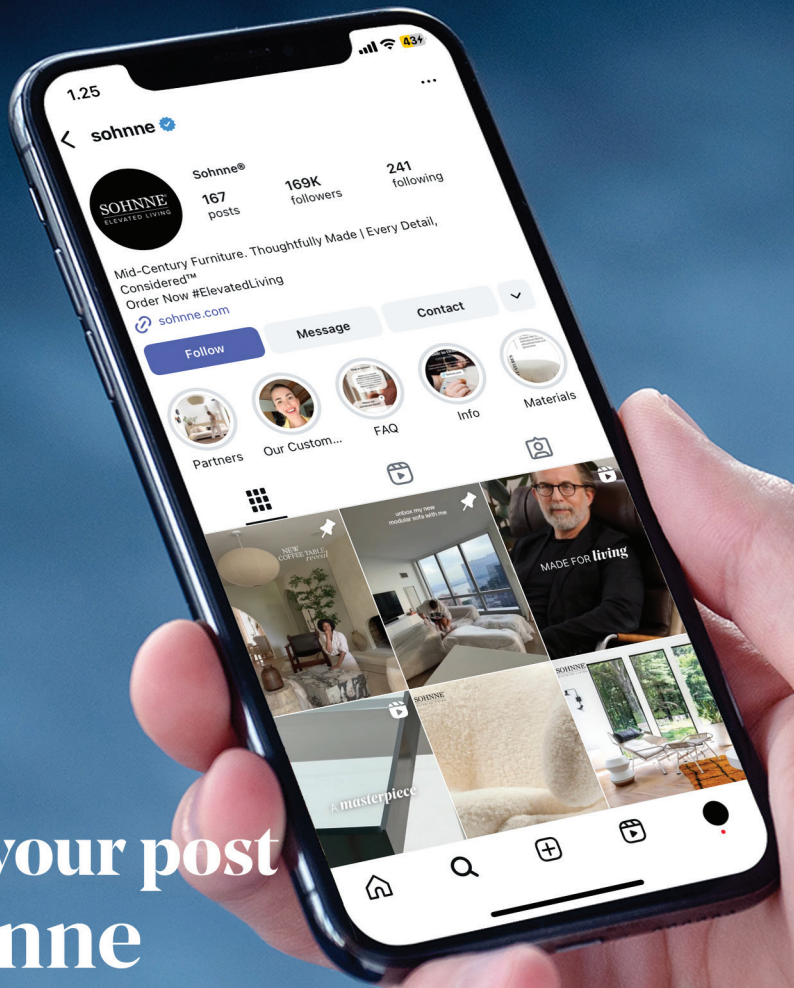
Step 3 — Attach the Cushion (C)

- Lay the cushion (C) along the upper frame (A).
- Align the edges and straps with the metal frame.
Secure using leather straps, snaps, or ties (depending on model).
Make sure it's centered and smooth.

Step 4 — Install the Headrest Cushion (D)

- Position the headrest cushion (D) at the top of the seat cushion (C).
- Loop its leather straps around the tubular frame to hold it in place.
Adjust for comfort — it should rest just beneath your neck when reclined.





Tag in your post @sohnne



\$50 off for photo review



\$100 off for video review

SOHNNE[®]
ELEVATED LIVING