

Assembly Instruction ✓

Corbusier LC2 Petit Modele Sofa



Welcome Guide

www.sohnne.com

Assembly Instructions

LC2 Sofa Part:

- (A) Seat Cushion Top 3x
- (B) Seat Cushion Bottom 1x
- (C) Back Cushion 3x
- (D) Side Cushion 2x
- (E) Frame

Step 1 - Set the frame

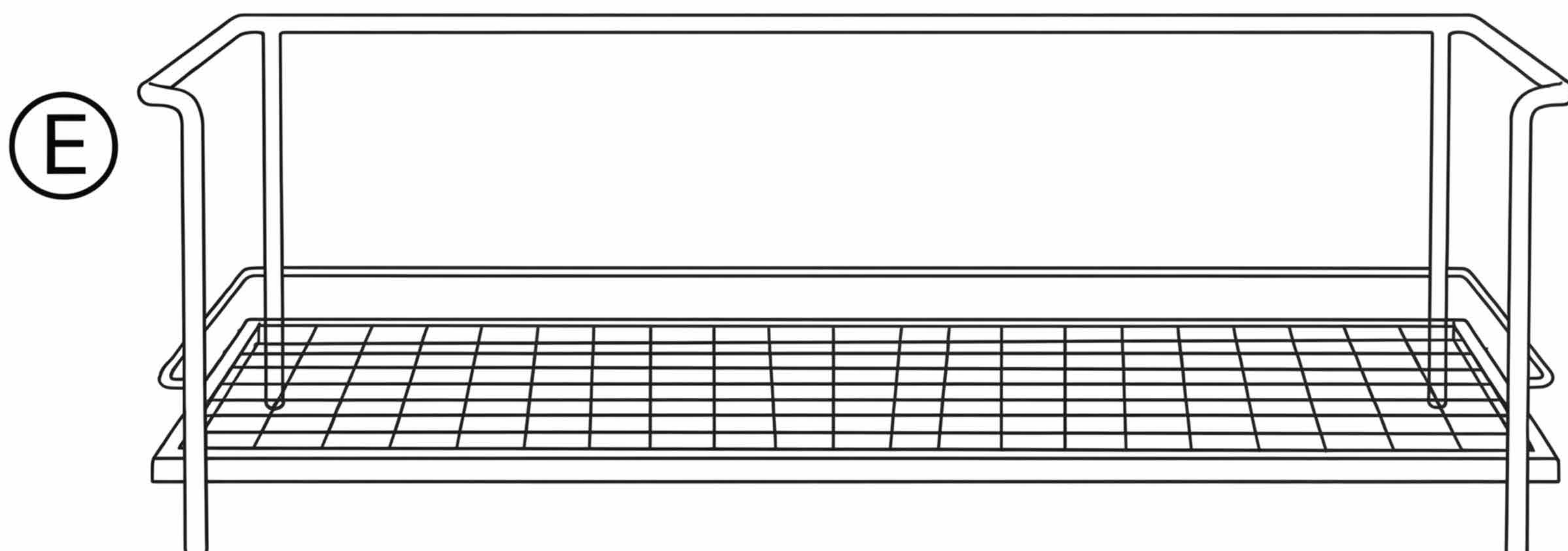
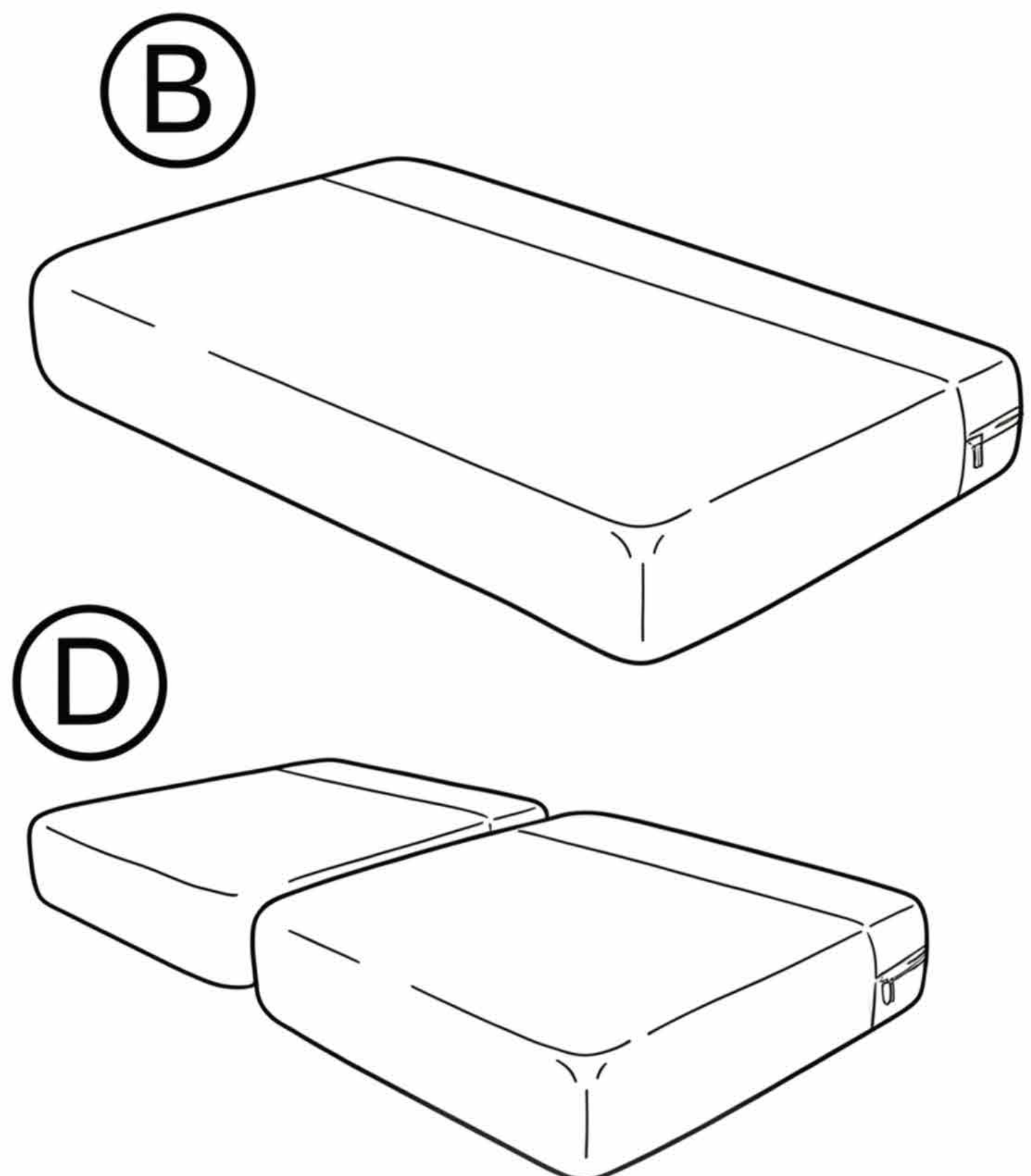
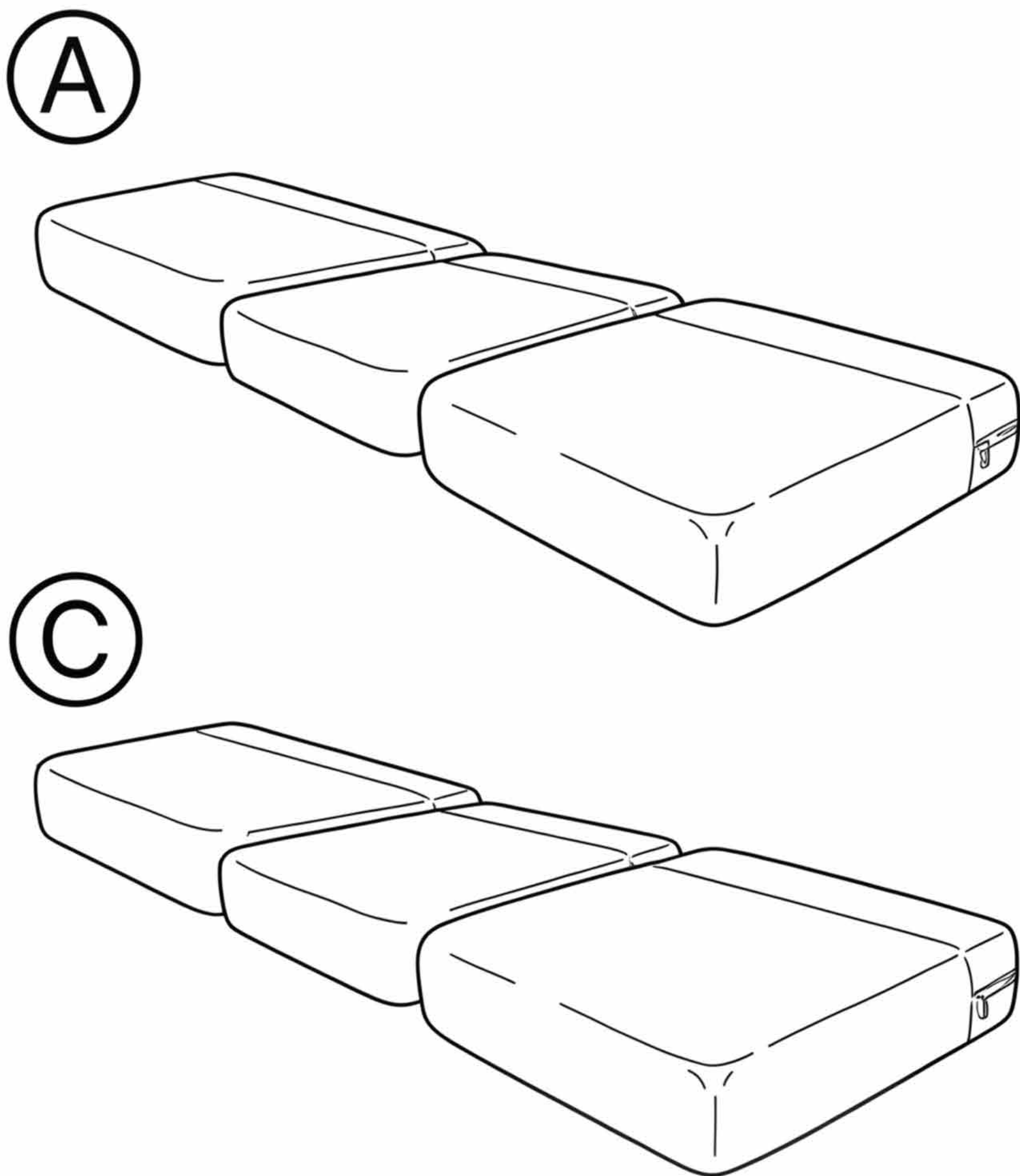
Place Frame (E) upright on a flat, clean surface with the open top facing up. Verify the base grid is level and stable.

Step 2 - Install the bottom seat pad

Lay the single long Seat Cushion Bottom (B) on the base grid. Center it so the front edge aligns with the front rail and the pad lies flat end-to-end.

Step 3 - Add the three seat tops

- Place the three Seat Cushion Tops (A) on top of B, positioned left, center, and right.
- Push them back until they touch the rear rail. Keep gaps even.



Assembly Instructions

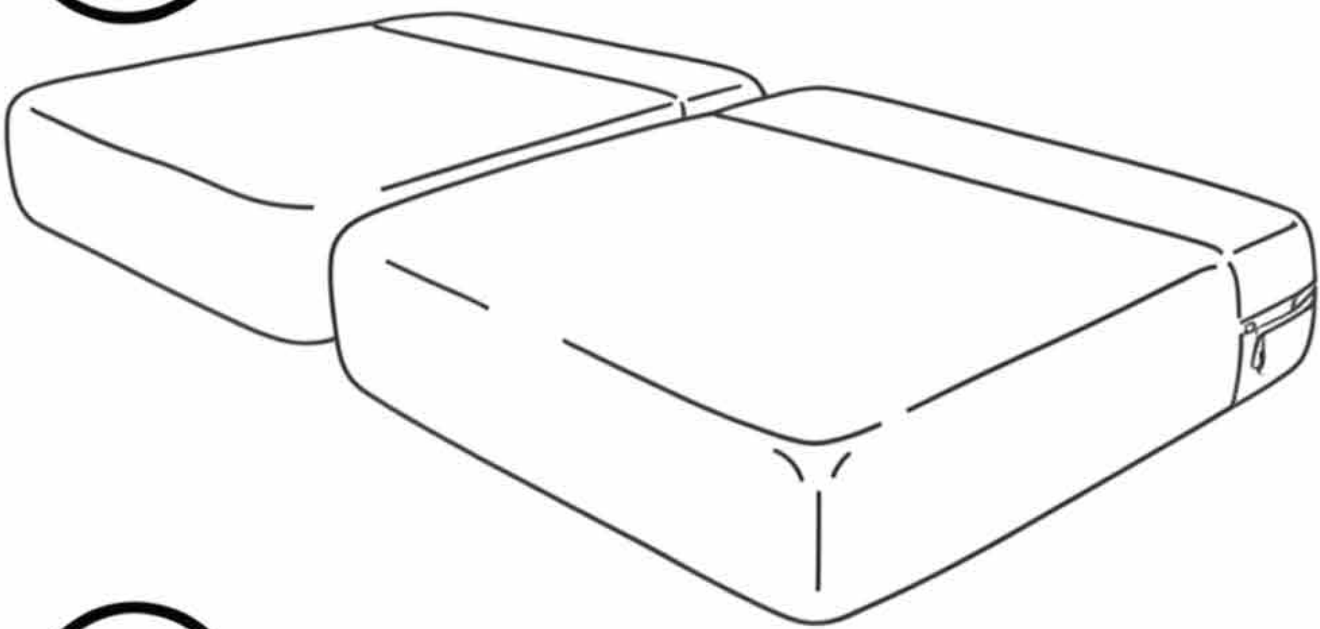
Step 4 – Fit the side cushions

- Insert both Side Cushions (D) vertically against the inside of each arm.
- Seams/piping face outward toward the chrome rails.
- Press down so they sit snugly on the seat pads.

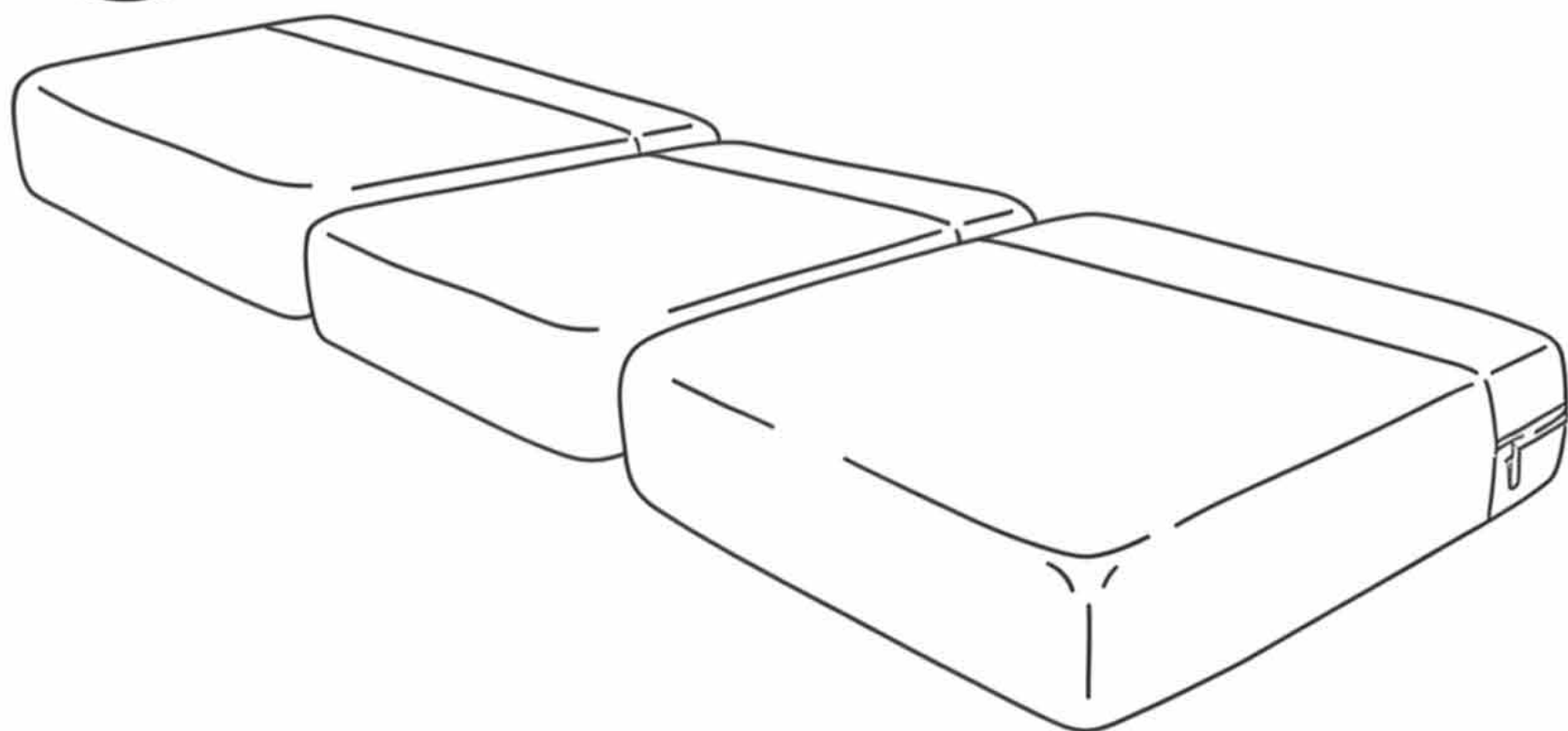
Step 6 – Align and square

- Check top edges are even with the rails.
- Seat tops (A) are straight with consistent spacing.
- No comers are tucked or twisted.

Ⓓ



Ⓒ



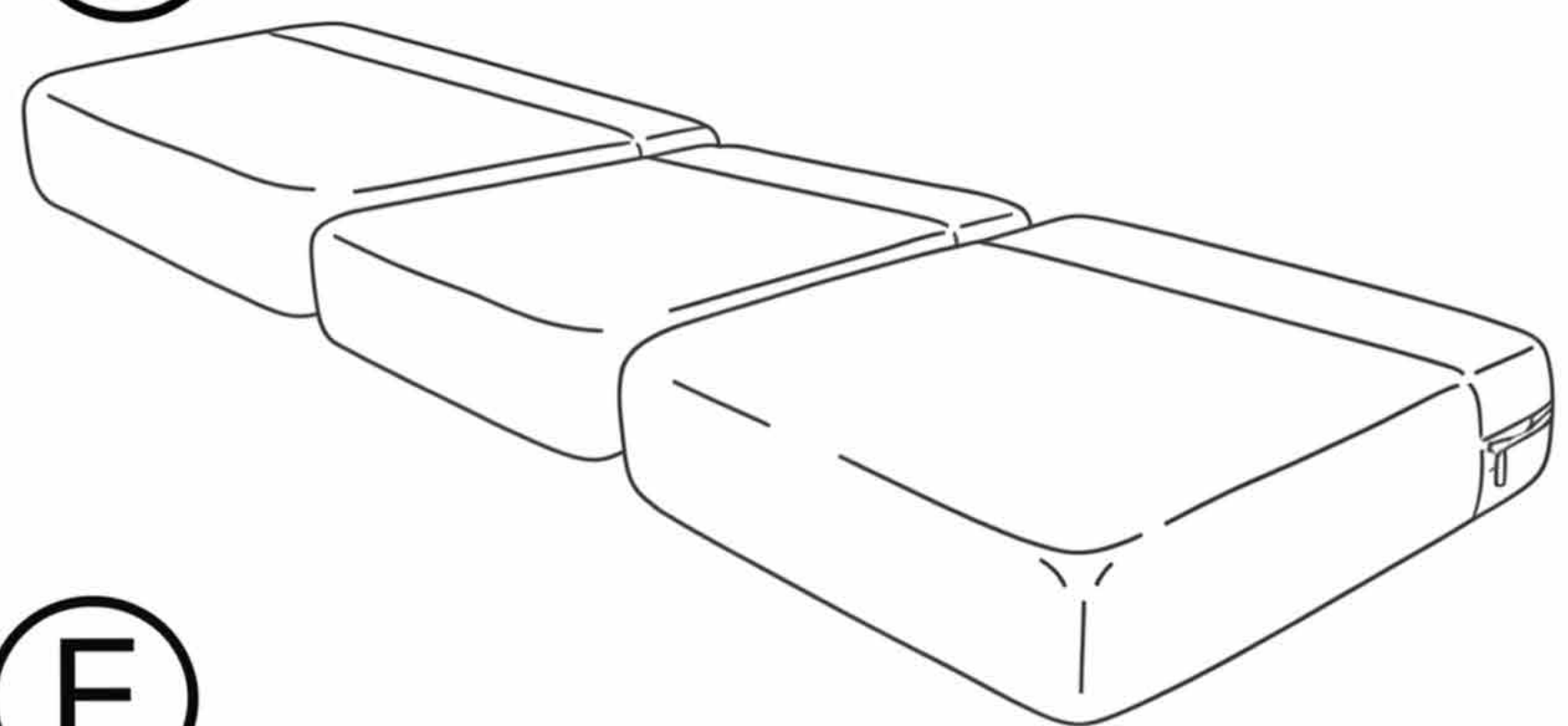
Step 5 – Insert the back cushions

- Place the three Back Cushions (C) along the back from left to right.
- Press each down and slightly back so they lock the side cushions and sit level with the top rail.

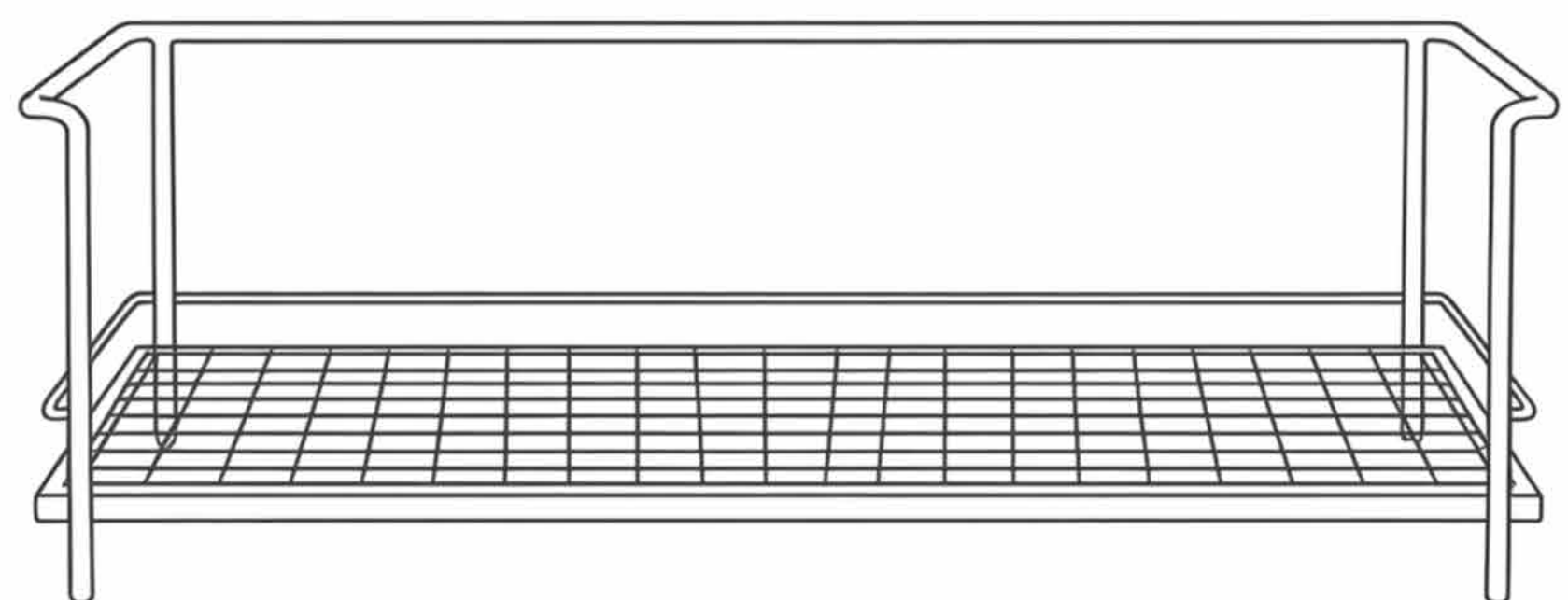
Step 7 – Final check

- Sit briefly, then re-square any shifts.
- Ensure the long bottom pad (B) hasn't crept forward; if it has, push it back so all seat tops touch the back cushions.

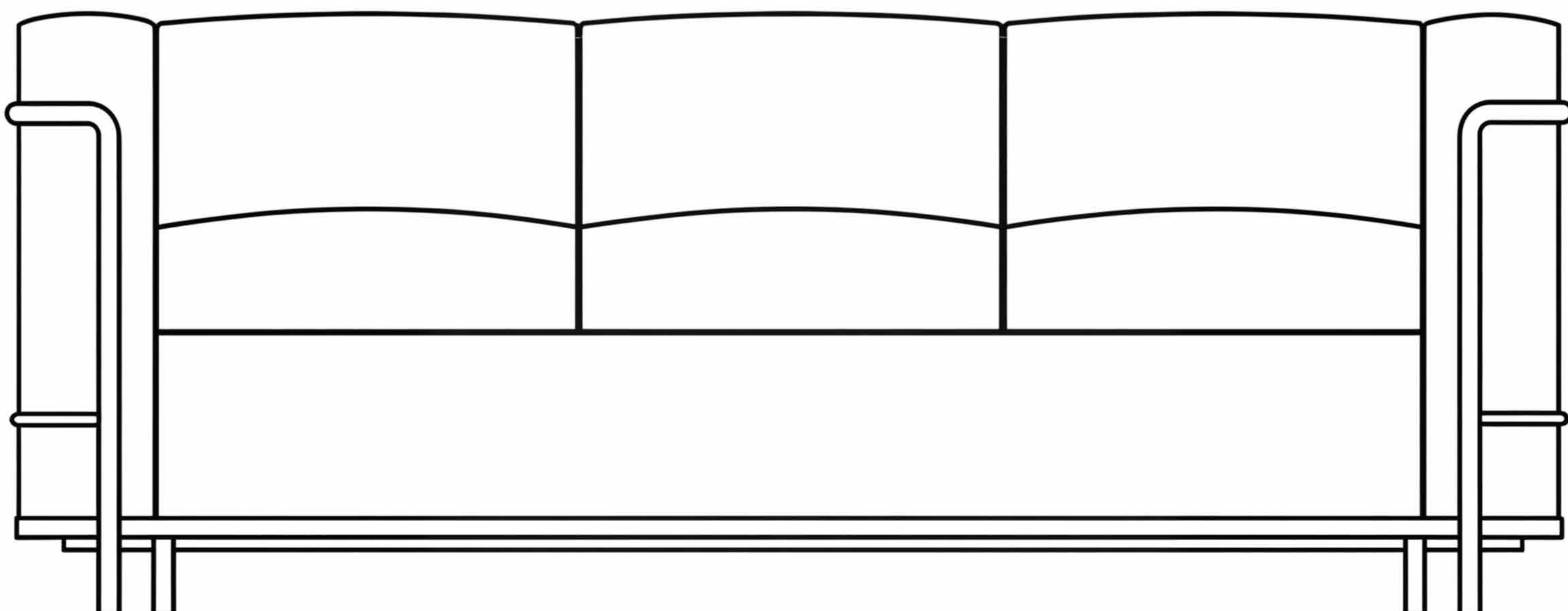
Ⓐ

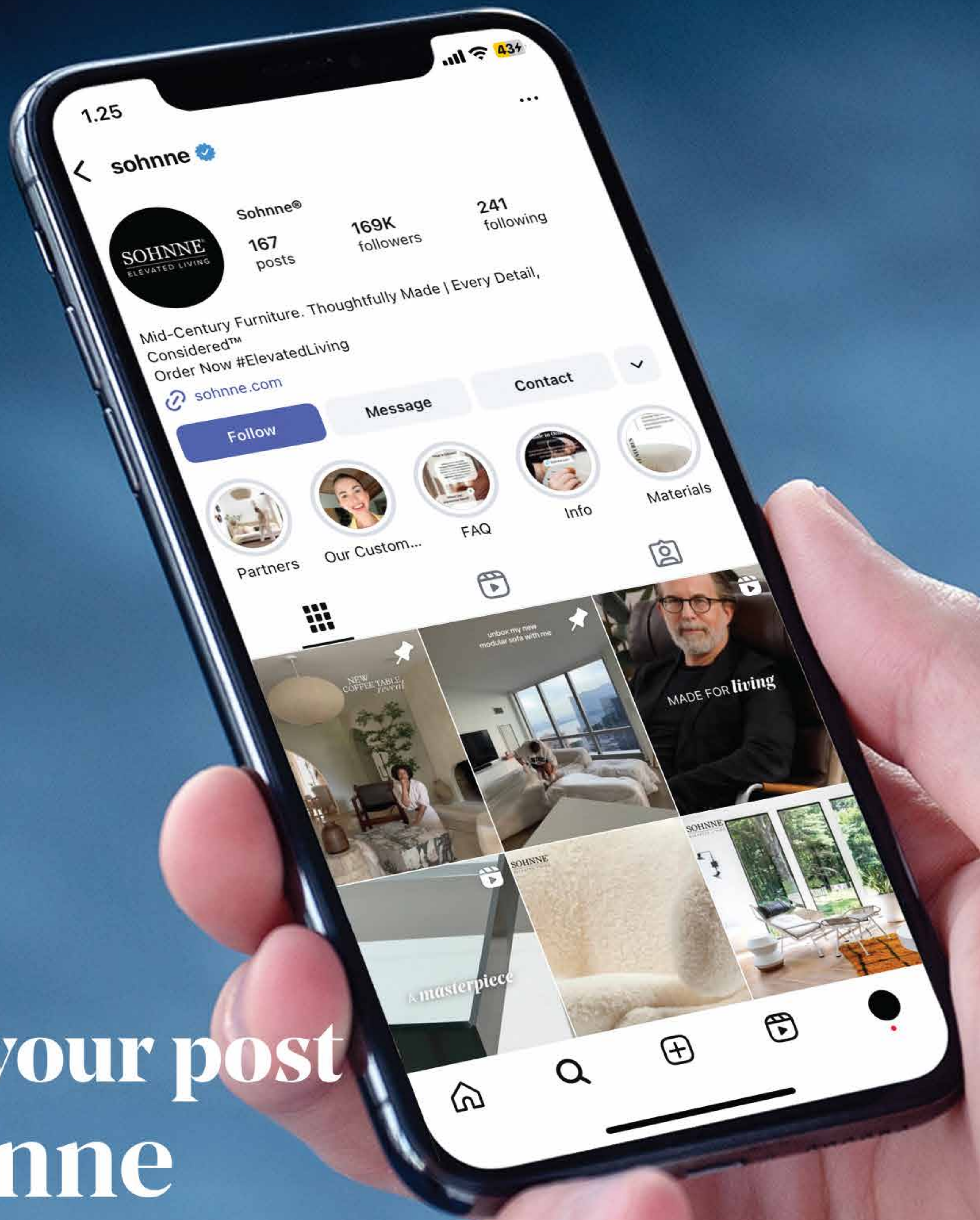


Ⓔ



LC2 Sofa Finish





Tag in your post @sohnne



\$50 off for photo review



\$100 off for video review

SOHNNE[®]
ELEVATED LIVING