

Assembly Instruction ✓

## E1027 Side Table

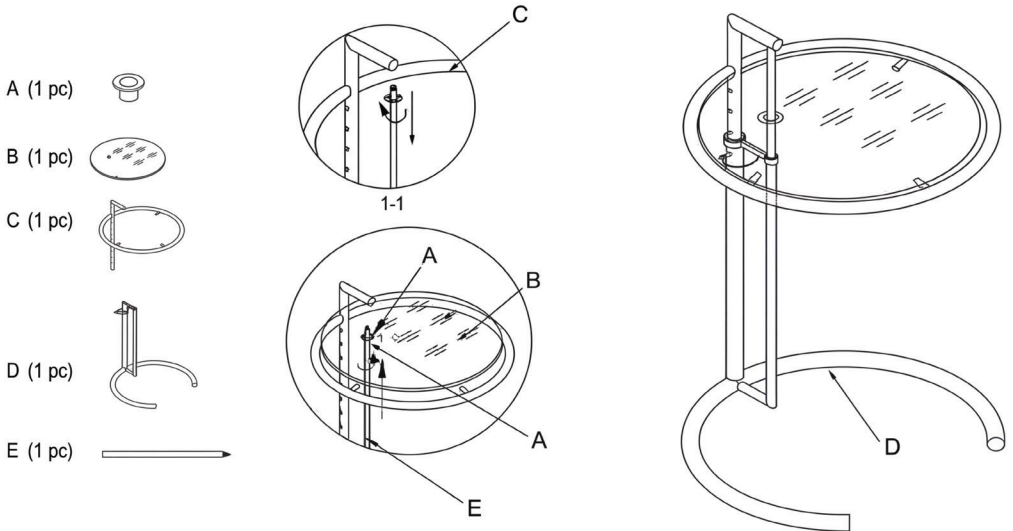


# Welcome Guide

[www.sohnne.com](http://www.sohnne.com)

# ASSEMBLY

Assembly is very simple: The parts and assembly flow below follow the illustration on 1 to 7.



## 1. Unpack and verify parts

Confirm you have parts A through E as shown in the diagram. Keep all packaging until assembly is complete.

## 2. Join the upper ring to the base

Align part C (top ring assembly) with the main upright on part D (base). Slide C down on the clamp bracket on C seats against the upright on D, as pictured in the first close-up

## 3. Insert the height-adjustment tube

Feed part E (the long inner tube) through the guide on C and into the upright on D. This creates the telescoping column that allows height adjustment, as shown in the main figure. Secure lightly for now.

## 4. Set a preliminary height

Raise or lower E to a comfortable height. Tighten the integrated clamp on C to hold E in place. Do not over-tighten.

## 5. Place the glass tabletop

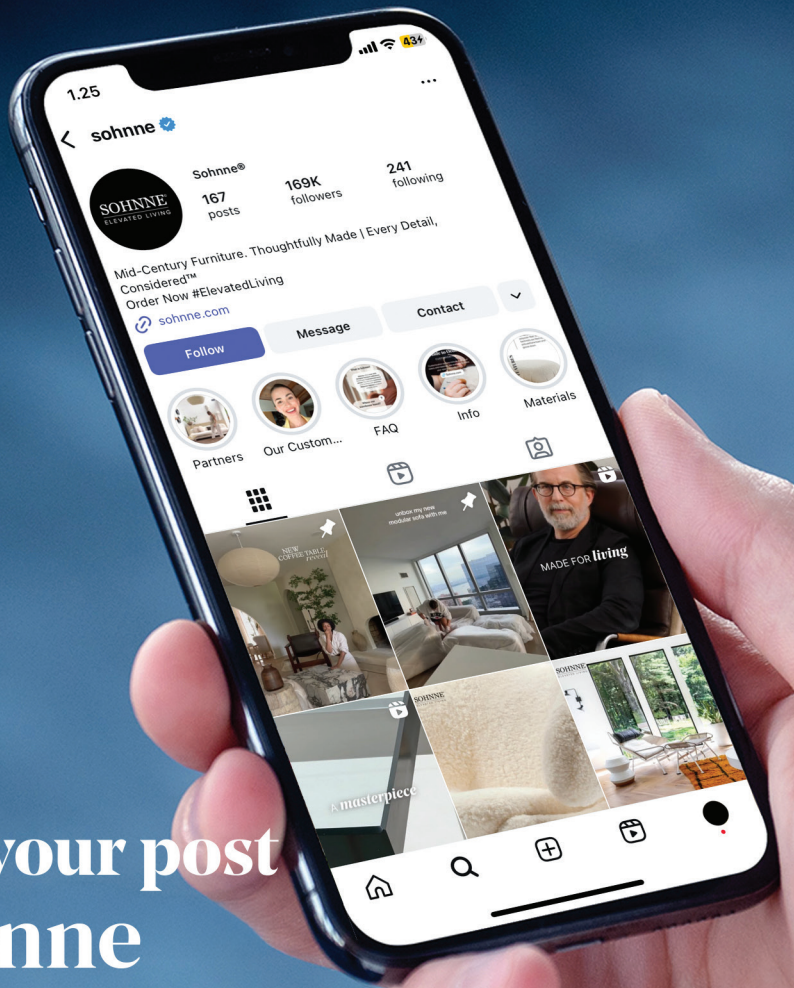
Carefully lower part B into the circular ring of C so it sits level all around. Use both hands and keep fingers clear of the ring edge. See the second close-up

## 6. Fit the finishing cap

Press part A into its position at the top guide as shown in the close-up with parts A and B. This completes the finished look and helps keep components seated.

## 7. Final check

Ensure the table is level, the clamp on C is snug, and the glass B is fully supported by the ring with even gaps all around.



# Tag in your post @sohnne



\$50 off for photo review



\$100 off for video review

**SOHNNE**<sup>®</sup>  
ELEVATED LIVING