

Assembly Instruction ✓

Corbusier LC3 Grand Modele Armchair



Welcome Guide

www.sohnne.com

Assembly Instructions

LC3 Armchair Part:

- (A) Seat Cushion 1x
- (B) Back Cushion 1x
- (C) Side Cushion 2x
- (D) Frame

Step 1 - Place the frame

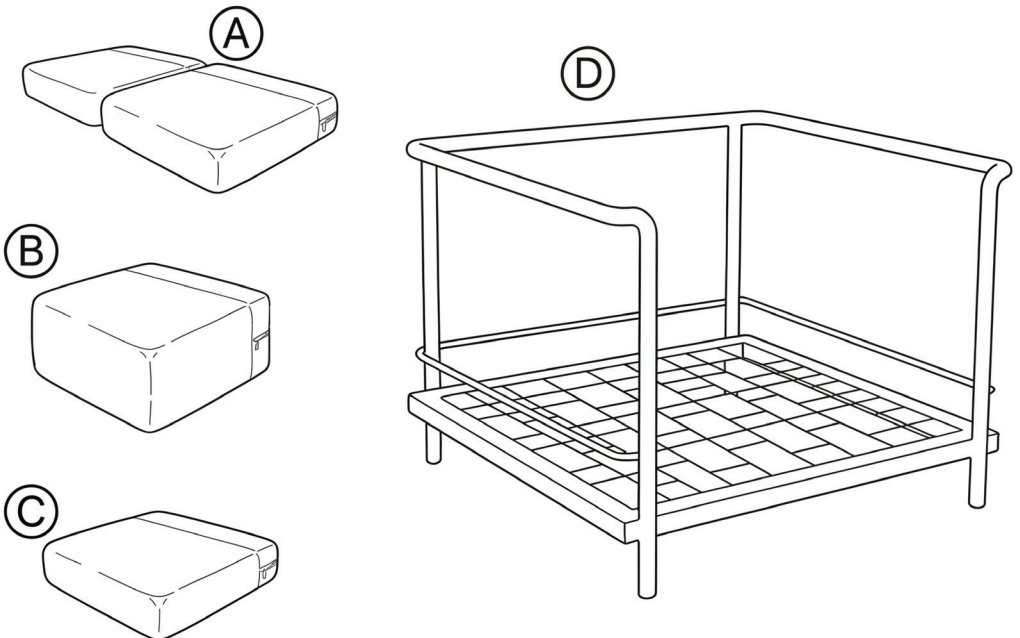
Set Frame (D) upright on a flat surface with the open top facing up. Confirm it's stable.

Step 2 - Install the seat

Set Frame (D) upright on a flat surface with the open top facing up. Confirm it's stable.

Step 3 - Fit side cushions

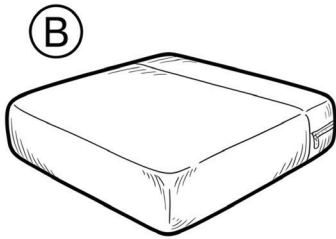
- Insert the two Side Cushions (C) vertically along the inside of each arm.
- Seams/piping face outward. Press down so each sits snugly between the arm rail and the seat.



Assembly Instructions

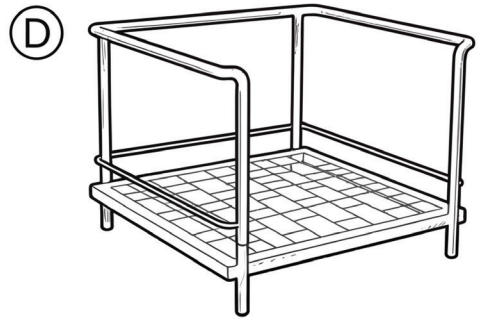
Step 4 – Add the back cushion

- Slide Back Cushion (B) between the side cushions at the rear.
- Press it down and back so it "locks" the side cushions in place.

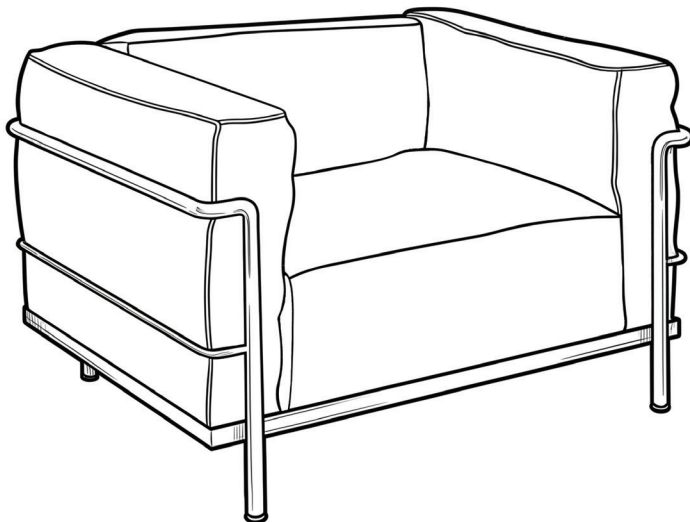


Step 5 – Align & Square

- Adjust until gaps are even, top edges are level with the rails, and corners are crisp.
- Tap/fluff cushions to restore volume after unpacking.



LC3 Armchair Finish





Tag in your post @sohnne



\$50 off for photo review



\$100 off for video review

SOHNNE[®]
ELEVATED LIVING