

Assembly Instruction ✓

Corbusier LC2 Petit Modele Armchair



Welcome Guide

www.sohnne.com

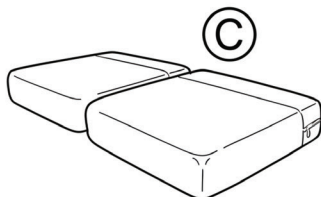
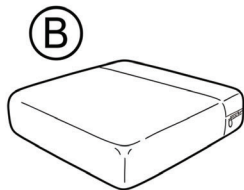
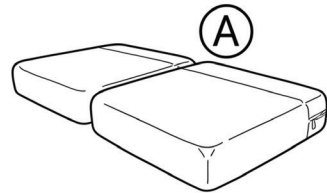
Assembly Instructions

LC2 Petit Model Armchair Part:

- (A) Seat Cushion 2x
- (B) Back Cushion 1x
- (C) Side Cushion 2x
- (D) Frame

Step 2 - Insert the Seat Cushions

- Place the two seat cushions (A) inside the lower section of the frame.
- Align them side by side within the seat base grid.
- Make sure both sit flush and level with each other.

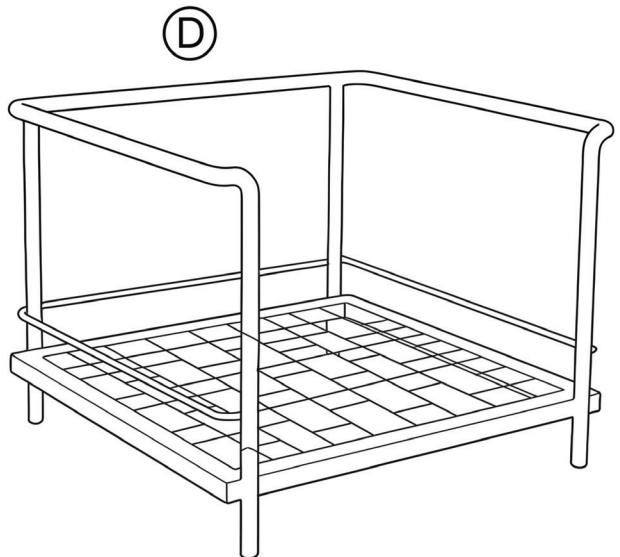


Step 1 - Place the Frame Upright

- Position the metal frame (D) on the floor with the open top facing upward.
- Ensure all welds and joints are secure before proceeding.

Step 3 - Add the Side Cushions

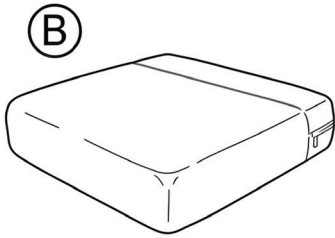
- Insert the two side cushions (C) vertically against the inside of the armrests.
- The stitched seams should face outward.
- Press gently so they fit snugly between the frame and seat cushions.



Assembly Instructions

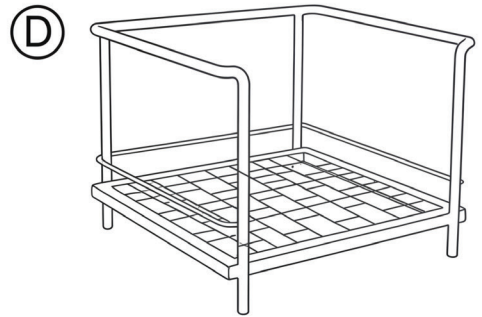
Step 4 – Insert the Back Cushion

Place the back cushion (B) between the two side cushions, pressing it down until it sits evenly at the rear of the seat.

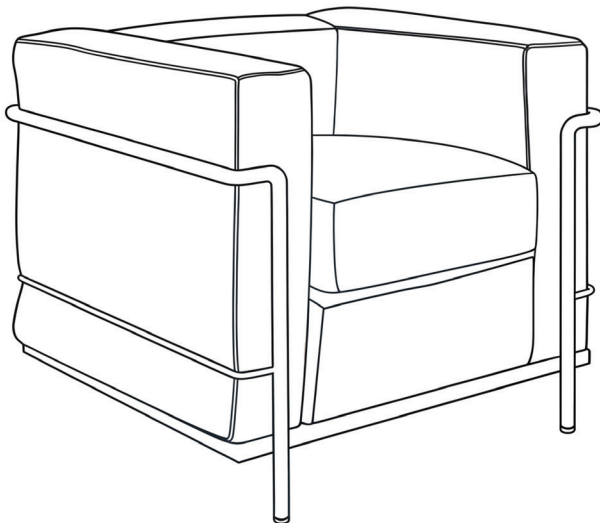


Step 5 – Adjust and Final Check

- Make sure all cushions are properly aligned and evenly seated.
- Check that no cushion corners are bent or twisted.
- The cushions should appear neatly boxed within the chrome frame, as shown in the final reference image.



LC2 Petit Modele Armchair Finish





Tag in your post @sohnne



\$50 off for photo review



\$100 off for video review

SOHNNE[®]
ELEVATED LIVING