

Assembly Instruction ✓

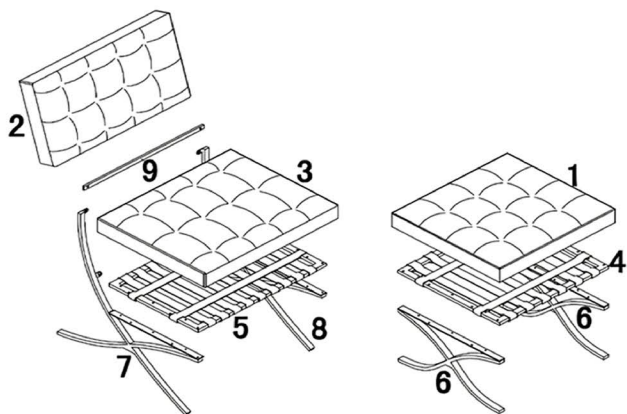
## Barcelona Chair Replica



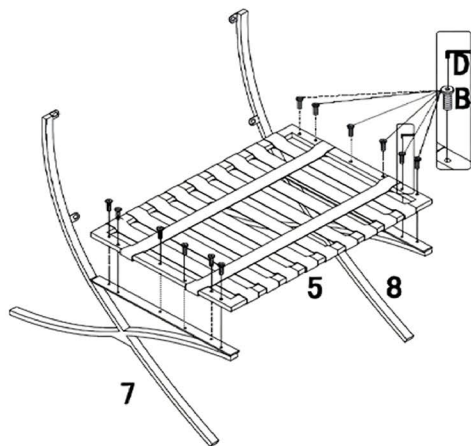
# Welcome Guide

[www.sohnne.com](http://www.sohnne.com)

# ASSEMBLY



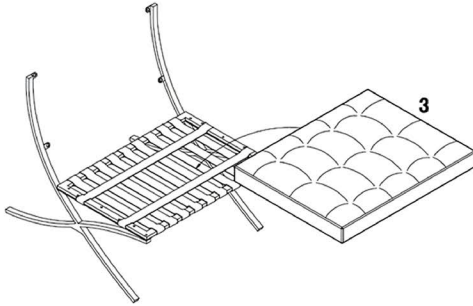
## STEP 1



Attach **chair leather strap (5)** to **chair frames (7)** with **short screw (B)**, Using Allen Wrench.

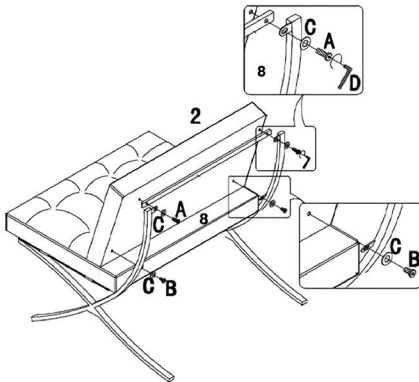


## STEP 2

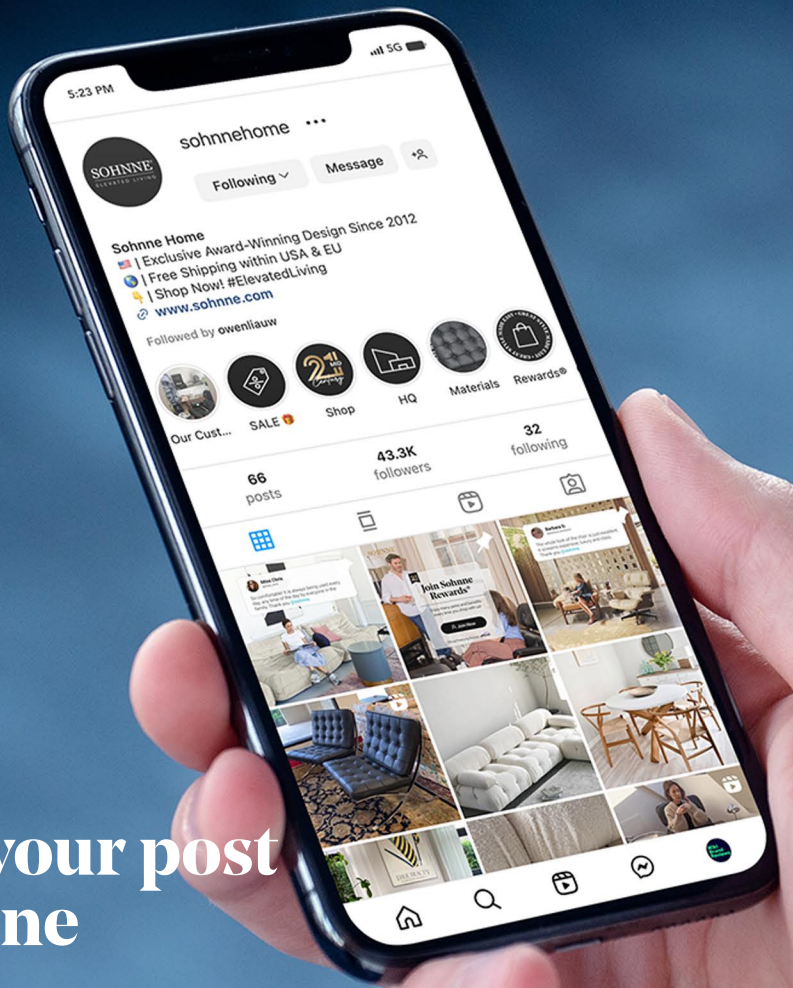


Install **seat cushion (3)**,  
to chair frames.

## STEP 3



Attach **chair back frame (8)**  
with **long screw (A)** and **flat  
washer (C)**.  
Then install **back cushion (2)**.



# Tag in your post @sohne



\$50 off for photo review



\$100 off for video review

**SOHNNE**<sup>®</sup>  
ELEVATED LIVING